

WeatherTRAK Chassis 7 Installation Guide

Included in Guide:

- Installation Instructions
- Initial Programming
- Controller Activation

Activate your WeatherTRAK controller
at www.weathertrak.com/activate – or call (800) 362-8774

Contents

Getting Started	1
Included Equipment.....	1
Existing Equipment that will be Used.....	1
Other Equipment Needed	1
Overview of the Steps for Installing the WeatherTRAK Chassis 7	2
Step 1 - Preparing the Existing Controller for Conversion	3
Step 2 - Turning off AC Power and Removing Controller Faceplate and Electronic Assembly ...	3
Step 3 - Installing the Antenna	4
Step 4 - Installing the Chassis 7 and Reconnecting Field Wires.....	5
Step 5 - Installing the Transformer	5
Step 6 - Connecting the Power Wires	6
Step 7 - Connecting the Grounding.....	6
Step 8 - Inserting the Cloud Update Key.....	7
Step 9 - Connecting all Components.....	8
Step 10 - Turning the Power Back On.....	9
Step 11 - Updating the Date and Time.....	10
Step 12 - Setting a Water Window Start Time	10
Step 13 - Download the WeatherTRAK Mobile App.....	11
Step 14 - Activating the Controller	11
Step 15 - Programming the Controller.....	11

Getting Started

Thank you for purchasing the WeatherTRAK Chassis 7. The Chassis 7 is made to retrofit into top mount enclosures.

Be sure to follow the step-by-step procedures in this document when performing the installation.

Questions? Contact Customer Support at support.hydropoint.com or call 800.362.8774.

Included Equipment

- Pancake antenna with locknut and lockwasher
- WeatherTRAK command module with support shelf and ribbon cable assembly
- 3.0 amp dual-voltage transformer with 2 locknuts
- Galvanized junction box with cover, ground stud, and 3 locknuts with integral star washers
- (4) ¼ X 20 locknuts with integral star washers
- Pre-configured back panel with station output PCBs. (The number of PCBs will vary based on required station count)
- Product literature pack in vinyl pouch

Existing Equipment that will be Used

- Enclosure/pedestal
- Rain/freeze sensor (if applicable)
- Existing field wires

Other Equipment Needed

- Cordless drill with 5/8" metal step drill bit
- Adjustable wrench (used to tighten pancake antenna locknut)
- Flat screwdriver
- Philips screwdriver
- Diagonal pliers
- Channel lock pliers
- Wire strippers
- Hacksaw (to cut excess electrical conduit)
- 3M™ Clear Super Silicone 08661
- Butt connectors or wire nuts

Overview of the Steps for Installing the WeatherTRAK Chassis 7

To retrofit a top mount enclosure, you need to perform the following steps:

- Step 1** – Prepare the existing controller for conversion
- Step 2** – Turn off AC power and remove controller faceplate and electronic subassembly
- Step 3** – Install the antenna
- Step 4** – Install the Chassis 7 and reconnect the field wires
- Step 5** – Install the transformer
- Step 6** – Connect the power wires
- Step 7** – Connect the grounding
- Step 8** – Insert the Cloud Update Key
- Step 9** – Connect all components
- Step 10** – Turn AC power back on
- Step 11** – Update the date and time
- Step 12** – Set the water window
- Step 13** – Download the WeatherTRAK Mobile App
- Step 14** – Activate the controller
- Step 15** – Program the controller

Step 1 - Preparing the Existing Controller for Conversion

1. Before dismantling and removing the existing irrigation controller, operate each station manually to confirm field wire integrity.
2. You must label the existing value wires. A wire-marker book or masking tape and a permanent marker work well for labeling.
3. Lift and set aside the sliding door on the pedestal to expose station field wire and terminal blocks.
4. Label each station wire to ensure the same station order will be maintained with the new controller.
5. Disconnect station field wires.
6. Disconnect any sensor wires.

Step 2 - Turning off AC Power and Removing Controller Faceplate and Electronic Assembly

⚠ WARNING! Turn off the AC power to avoid electrical shock or damage to the new controller equipment.

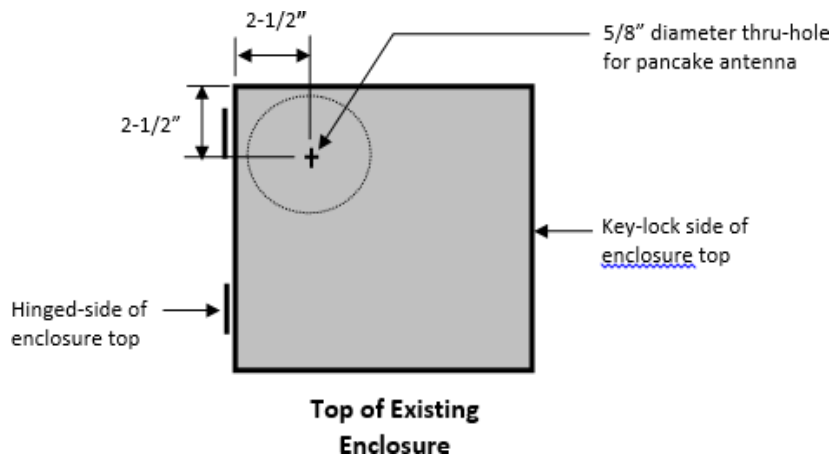
1. After AC power has been disconnected, remove the existing controller's faceplate and electronic subassembly.
2. Remove the transformer. If there are connected wires that prevent you from removing the transformer, disconnect those wires as needed.

Note: The existing transformer is not compatible with the WeatherTRAK controller and should NOT be left in place.

Step 3 - Installing the Antenna

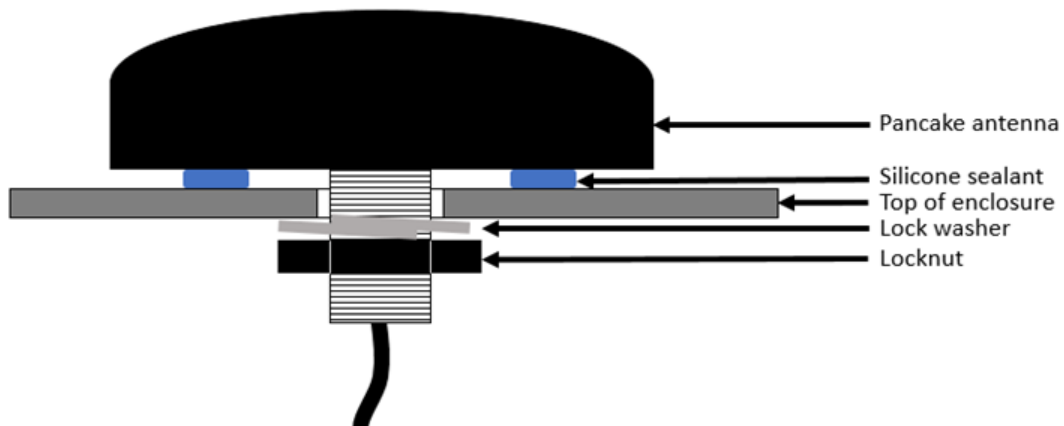
It is important to drill the hole for the pancake antenna **before** installing the WeatherTRAK Chassis 7. This procedure helps to avoid spreading metal fillings onto the new output board where a possible short could occur.

1. Drill a hole through the top of the existing enclosure as shown in the diagram below.



- A. Close the top of the enclosure and measure 2-1/2" from the hinged side as illustrated. The top of the enclosure will slide off of the pin hinges for easier field drilling if needed.
 - B. Using a metal step drill, drill a 5/8" diameter hole for the pancake antenna in the location noted above.
- CAUTION:** Use a slow speed to avoid burning the stainless steel.
- C. File smooth any metal burrs on the underside of the hole.
 - D. To ensure the antenna makes good contact, clean the top and underside of the enclosure around the newly-drilled hole.

2. Install the pancake antenna as shown in the diagram below.



3. Apply a liberal amount of silicone sealant (3M™ Clear Super Silicone 08661, or equivalent) to the underside of the pancake antenna **before** inserting into the hole.

Note: Failure to apply silicone sealant to provide a weather-resistant seal may result in leakage and possible product damage which is not covered under the WeatherTRAK warranty.

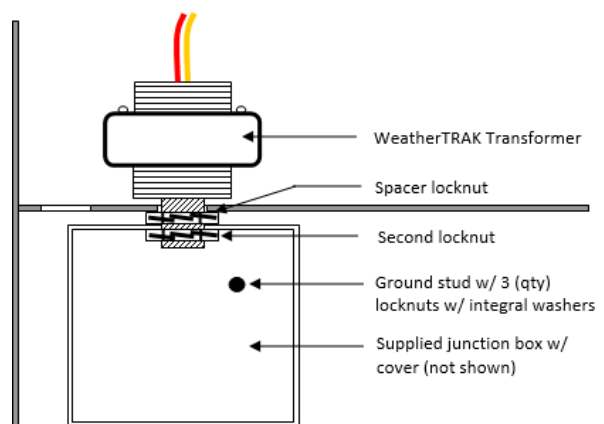
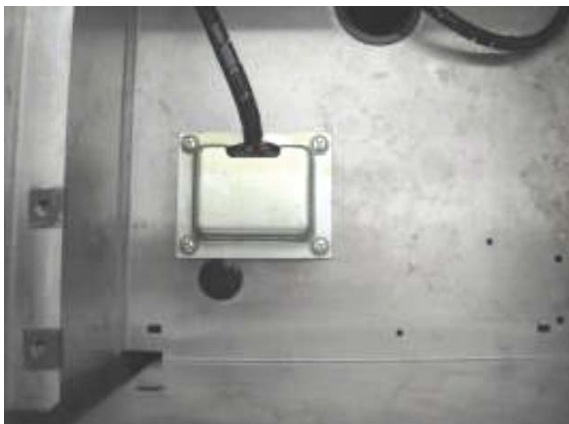
4. Hand-tighten the locknut to confirm the pancake antenna is properly seated and sealed, and then tighten with an adjustable wrench.

Step 4 - Installing the Chassis 7 and Reconnecting Field Wires

1. Install the Chassis 7 within the lower portion of the pedestal enclosure. Align the mounting holes with the interior threaded studs and secure with the 4 locknuts and 4 integral lock washers. Tighten with a socket or adjustable wrench.
2. Reconnect all of the existing field wire and sensor wires to the corresponding station outputs or inputs as needed. Splice any short field wires with butt connectors or industry recognized wire nuts as needed.

Step 5 - Installing the Transformer

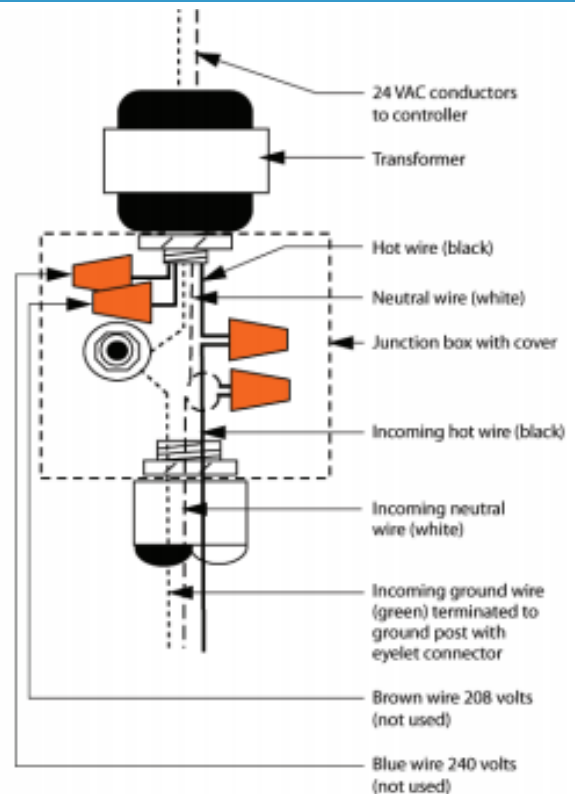
1. Insert the threaded stud of the transformer into the thru-hole. Thread one of two locknuts onto the threaded nipple of the transformer and tighten securely.
2. Install the metal junction box and thread a second locknut. Tighten the second locknut to secure the junction box. See the illustration below.



Step 6 - Connecting the Power Wires

The blue and brown wires are tied off with a zip tie and wire nuts. **DO NOT REMOVE OR USE THESE WIRE NUTS.**

1. Verify the blue and brown wire nuts are attached securely and use 3 new wire nuts for the 110V connections.
2. Connect the power wires within the junction box using approved wire nuts. Refer to the illustration to the right. If an "On/Off" switch and GFCI previously existed, these can be reinstalled as needed.



Step 7 - Connecting the Grounding

1. Locate the threaded ground stud inside the provided junction box.
2. Remove two of the lock nuts from the ground stud.
3. Make sure the 3rd locknut is tight to hold the ground stud in place.
4. Position the ground wire eyelet from both the power source and the transformer over the ground stud.
5. Thread one of the remaining locknuts onto the ground stud and tighten it to hold the ground eyelets securely.
6. Thread the last locknut onto the ground stud and tighten it up to the previous one. The first locknut remains on the threaded bolt to secure it to the junction box.
7. If a ground rod and/or ground wire exists, connect to the ground lug located in the lower-left corner of the CH7 chassis.

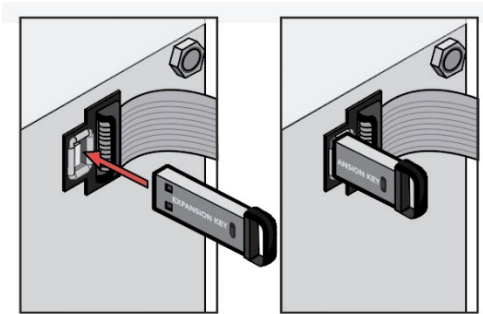
Step 8 - Inserting the Cloud Update Key

HydroPoint is proud to produce world-class irrigation control products. We are constantly adding new features and improving existing products. Firmware upgrades are always free, as long as your hardware is compatible.

The Cloud Update Key is a USB device that you plug into a USB port on the back side of the controller's command module. The key enables the controller to receive firmware updates to occur from the cloud on an as-needed basis. The Cloud Update Key is for use on one controller, and must remain installed to maintain functionality. To get started, follow the instructions below.

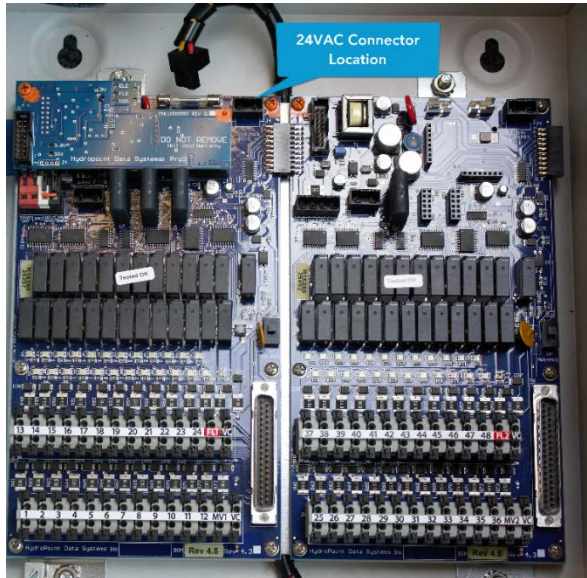
Installing the Key

1. Locate the USB port on the back side of the command module.
2. Insert the Cloud Update Key as pictured below.



Step 9 - Connecting all Components

1. Thread the red and yellow 24 VAC transformer cable assembly with connector through the large thru-hole in the interior cavity of the enclosure and connect to the CH7 chassis as seen in the photo below. This connector is “keyed” so that it will only fit in one direction, but it must be connected to the far left 24 VAC port.



2. Thread the gray ribbon cable from the Chassis 7 into the large thru-hole to the right of the transformer and connect into the port on the back side of the WeatherTRAK command module.
3. Insert the pancake antenna cable assembly through the open slot in the top of the command module shelf and connect it to the antenna connection port on the back of the WeatherTRAK command module.



4. Seat the WeatherTRAK command module over the enclosure shelf as shown in the photo below.



Step 10 - Turning the Power Back On

Turn the AC power back on. Confirm the WeatherTRAK command module display shows a time and date.

Step 11 - Updating the Date and Time

1. Press the **SETUP** button.
2. Press the **→** button. The **DATE (YEAR)** screen displays.
3. Press the **+** or **-** button to set the current year.
4. Press the **→** button. The **DATE (MONTH)** screen displays.
5. Press the **+** or **-** button to set the current month.
6. Press the **→** button. The **DATE (DAY)** screen displays.
7. Press the **+** or **-** button to set the current day.
8. Press the **→** button until the **TIME (HOUR)** screen displays.
9. Press the **+** or **-** button to set the current hour. Verify that you have selected the correct hour (am/pm).
10. Press the **→** button. The **TIME (MINUTE)** screen displays.
11. Press **+** or **-** to set the current minute.
12. Press the **→** button. The **TIME ZONE** screen displays.
13. Press **+** or **-** to set the desired time zone.
14. Continue to enabling automatic daylight savings time.

Note: if you are installing a controller in Hawaii or Arizona, skip to step 11.

15. Press the **→** button until the **AUTO DAYLIGHT SAVINGS** screen displays. Perform one of the following options:
 - To set the controller to automatically adjust to daylight savings time, press **+** or **-** to select **Yes**.
 - To set the controller so it does NOT automatically adjust to daylight savings time, press **+** or **-** to select **No**.

Step 12 - Setting a Water Window Start Time

1. Press the **DAYS/TIMES** button.
2. Select the program you would like to set the window start time for. Verify that you have selected the correct hour (am/pm).
3. Press the **→** button until the **SET STARTS/WINDOWS** screen displays
4. Press **SELECT** to edit.
5. Press the **+** or **-** button to set the start time hour for the water window.
6. Press the **→** button to set the start time minute you want the water window to begin.

7. Press the → button to set the water window length.
8. Press the + button to set the water window duration. For example, if you want your water window at 4 hours duration, enter in 4:00.
9. Continue with → until the program is complete.

Step 13 - Download the WeatherTRAK Mobile App

Testing your stations is easy with our WeatherTRAK mobile app. The app is available from the Apple App store or from Google Play store. After downloading the app, you can use it to manually run your stations to ensure that things are working properly.

Step 14 - Activating the Controller

WeatherTRAK controllers must be activated to start getting the central visibility and benefits of WeatherTRAK Central. You can activate the controller online at www.hydropoint.com, or by calling 800-362-8774. Required information for controller activation includes:

- Purchaser's name, email and phone number
- Installer's company name and address
- Installer's name email and phone number
- Location of controller (Street and site name)
- Your controller's serial number (accessed through the HELP menu)
- Your controller's SIM card number (accessed through the HELP menu)

A [worksheet](#) is included with the controller for recording this information.

You will be able to tell if your controller is activated by pressing the ET button on your controller. If a date and time is displayed below the ET value, your controller is active.

Step 15 - Programming the Controller

Included with the WeatherTRAK Chassis 7 is a WeatherTRAK literature pouch. Attach this pouch to the inside of the sliding door. Go to <https://www.weathertrak.net> to complete controller programming.

WeatherTRAK[®]

www.hydropoint.com

1 (800) 362-8774 support@hydropoint.com



RevA20180323

