

LC Controller (2G Modem Module) Installing the LTE Modem and Flex Antenna

This LTE modem module and flex antenna provides you with the latest standard for connectivity between your WeatherTRAK controller and the cloud.

Materials Provided

- LTE Flex Antenna with SIM card
- Modem Module

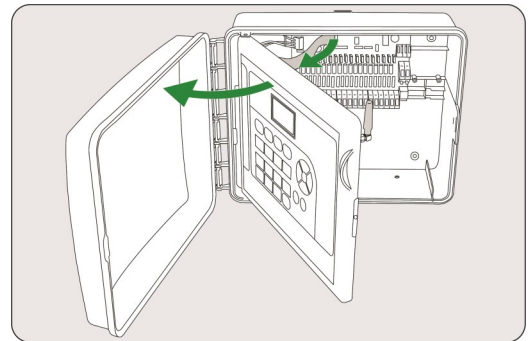
Equipment Needed

- Phillips Screwdriver
- 3/4" Vinyl Electrical Tape

Part 1: Update Controller Firmware

1

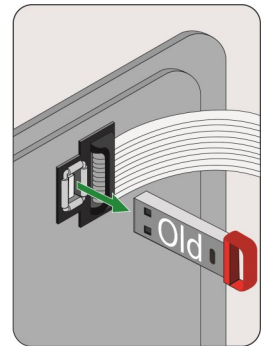
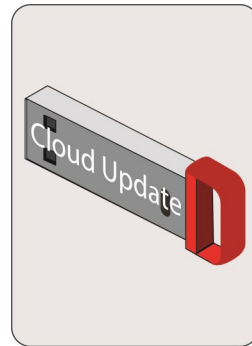
Swing open the controller cover, and then open the panel door.



2

Locate the USB port on the back side of the control panel.

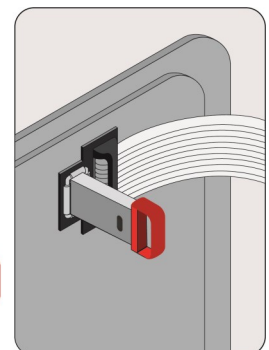
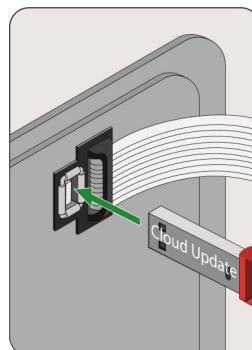
If a Cloud Update Key is installed, remove it and set it aside.



3

Insert the enclosed Cloud Update Key into the USB port as pictured.

Close the front panel door.



4

Restart the controller:

Press **HELP**.

Press → until the **Restart Controller** screen displays. (screen 17-03)

Press * to restart the controller.



5

Check to see that the latest firmware is installed.

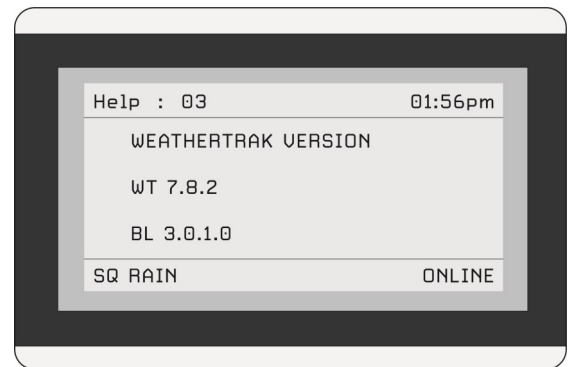
Press **HELP**. (screen 03)

Press → until **WEATHERTRAK VERSION** displays.

For LC controllers, the version should be 7.8.2 or higher.

If the firmware does not update, try Part 1 again. If it still does not update, contact Customer Support.

Leave the Cloud Update Key installed into the USB port.

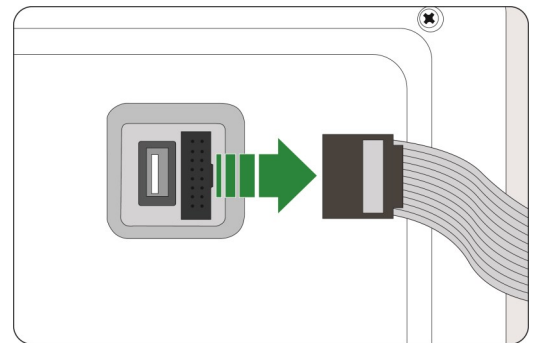


Part 2: Disconnect Power and Remove the Modem Module

1

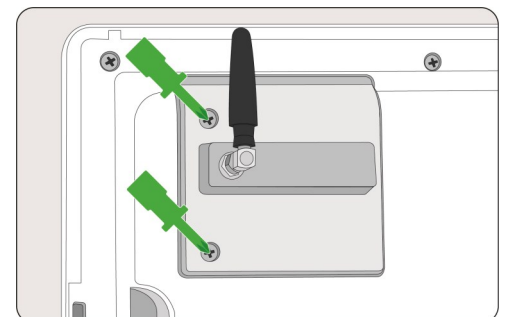
Disconnect AC power by turning off the circuit breaker or unplugging the controller. If it is not possible to turn off the circuit breaker, open the control panel door and unplug the ribbon cable from the back of the panel.

Note: The chassis board will still have power after the ribbon cable has been unplugged.



2

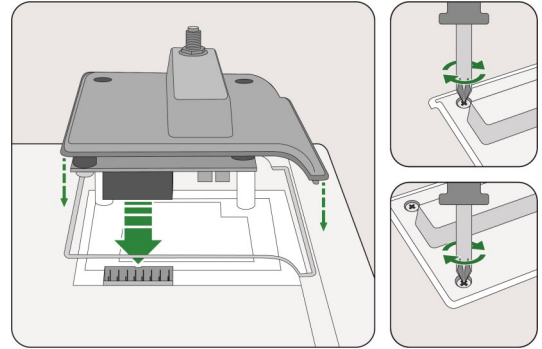
Unscrew the modem module from the back panel, and then lift it off. Retain the screws for reuse in Part 2.



Part 3: Install the New Modem Module

1

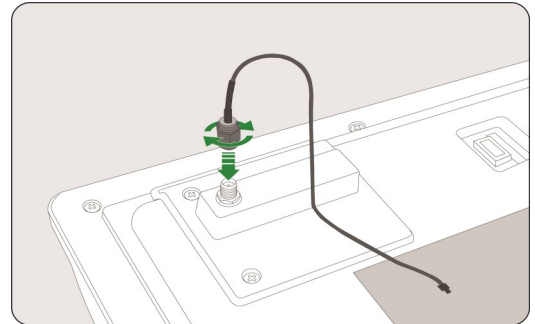
Align the new modem module with the connecting pins and gently push it down to attach to the connecting pins. Fasten with the screws you set aside.



Part 4: Install the New Antenna

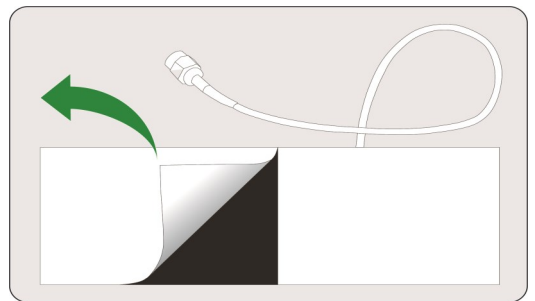
1

Screw the antenna cable onto the antenna port.



2

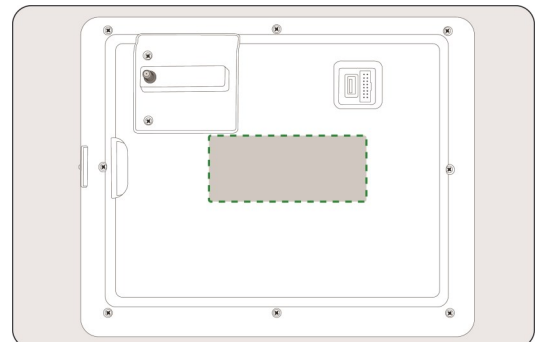
Remove the backing from the flex antenna.



3

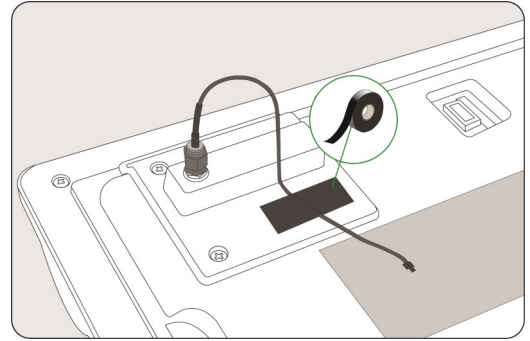
Affix the antenna to the back side of the panel in the location shown.

Warning: Do not strain the antenna connection.



4

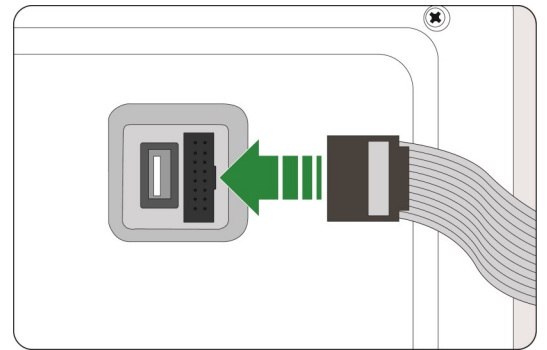
Tape down the antenna cable with electrical tape to prevent it from snagging on the terminal boards.



Part 5: Reconnect Power and Check Communication

1

Reattach the ribbon cable to the back of the panel.
Reconnect AC power if it was disconnected.



2

Close the control panel door.
Check to see that the date and time are correct on the display screen. The time and date should sync automatically if the controller is online.
Check to see that the controller is online. Press the COMM button. Press the → button until the **GPRS STATUS** screen displays (COMM13). After 5 minutes, the display should say **ONLINE**. If it doesn't, contact support at 1-800-362-8774.
Close the controller cover.

