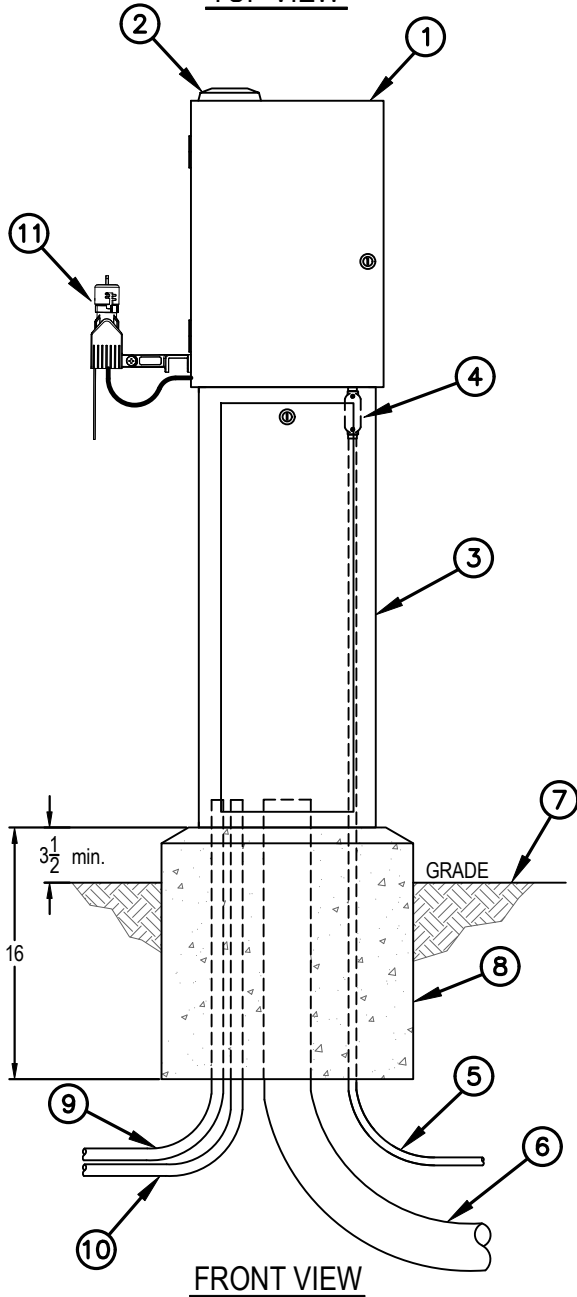


TOP VIEW



FRONT VIEW

NOTE:

MINIMUM CONCRETE BASE REQUIREMENTS:
CONTRACTOR SHALL VERIFY NUMBER & SIZE
OF CONDUITS & GROUND RODS REQUIRED
FOR EACH ENCLOSURE. USE MOUNTING
TEMPLATE TO LOCATE "J" BOLT FASTENERS.

NOTE:

SEE IRRIGATION DRAWINGS FOR ENCLOSURE
DIMENSIONS AND FINISH.

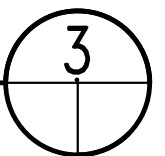
LEGEND

1. WEATHERTRAK ET PRO² SWM SMART WATER MANAGER SERIES CONTROLLER
2. LOW PROFILE ANTENNA.
3. WeatherTRAK ENCLOSURE PEDESTAL
4. J-BOX FOR 120VAC WIRING (NOT INCLUDED)
5. PVC OR RIGID CONDUIT & CONDUIT SWEEP FOR 120VAC WIRING
6. PVC CONDUIT AND CONDUIT SWEEP FOR VALVE WIRING
7. FINISH GRADE
8. POURED-IN-PLACE CONCRETE BASE WITH SLOPED EDGES FOR DRAINAGE AWAY FROM PEDESTAL
9. PVC CONDUIT AND CONDUIT SWEEP FOR FLOW SENSOR WIRING AND MASTER VALVE WIRING
10. PVC CONDUIT AND CONDUIT SWEEP FOR #6 BARE COPPER GROUND WIRE.
11. WIRED OR WIRELESS RAIN SENSOR PER SPECS.

PEDESTAL MOUNT FOR

SCALE: N.T.S.

WeatherTRAK ET PRO² SWM SERIES



HYDROPOINT
Data Systems, Inc.

WEATHER BASED AUTOMATIC IRRIGATION CONTROLLER

18 JANUARY 2010

REVISED ---

DRAWING NO. 0003